

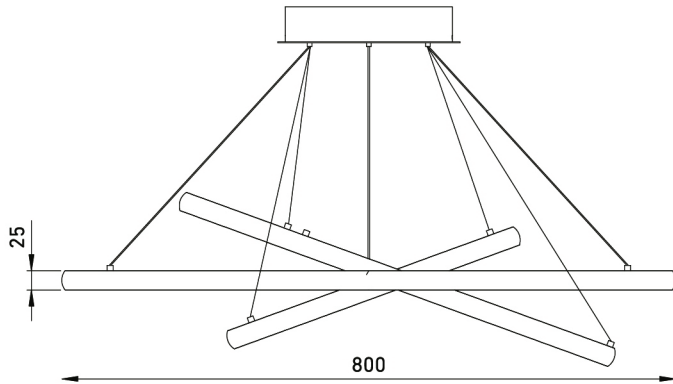


RIPPLE

Rippling through space

SPECIFICATION

- Luminaire body made of beautifully bent aluminium-profile
- Moulded silicon Diffused lens for spotless and even lighting
- Matt White Powder coating using Nano Technology
- With a descending size of rings placed within each other at varying angles
- Each ring emits light from both the internal and external sides
- Each ring can be adjusted individually and combined to form a chandelier
- Available in Cool White, Neutral White, Warm white & Tunable white color options; CRI>80



ORDERING DETAILS

PENDANT MOUNT IP 20 240V STD COLOR: White

MODEL	Power (W)	PF	DIA (mm)
RIPPLE 92W 3000K/4000K/5700K LED DECORATIVE PENDANT MOUNT LIGHT	92	>0.95	450+600+800